

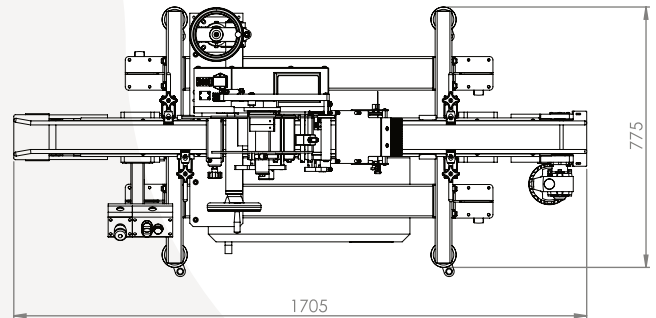
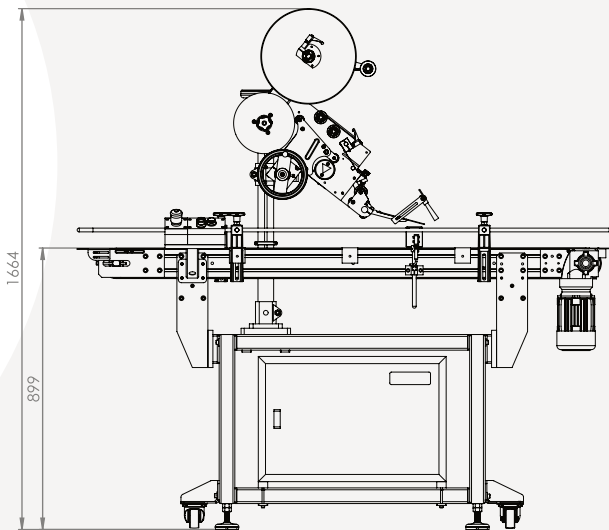


# PARAMETERS

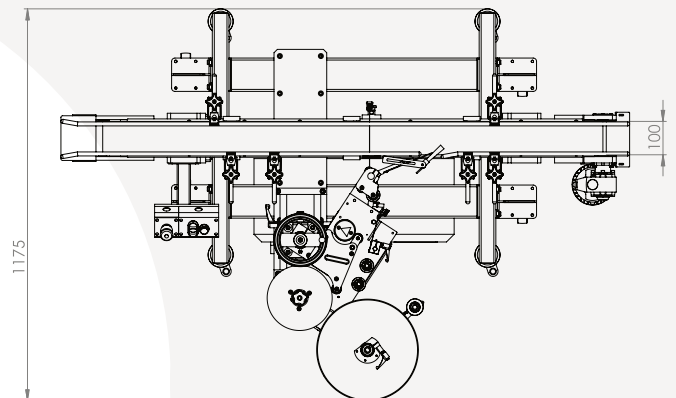
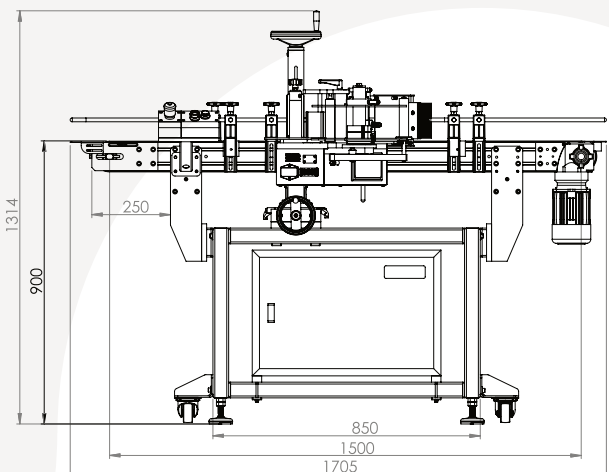
# INTREX SET 1201 & 1501

<b>LABELLING HEAD</b>	INTREX 100+ (optional: INTREX 200+)
<b>MAX LABEL WIDTH</b>	90 mm, 160 mm (optional: 220 mm)
<b>MAX LABEL ROLL DIAMETER (UNWINDER)</b>	300 mm (may be increased to 350 mm), 40 mm or 76 mm core diameter
<b>LABEL SENSOR</b>	Optical (optional ultrasonic sensor for transparent labels)
<b>MAX CAPACITY</b>	Up to 100 products per minute
<b>INTREX SMART PANEL</b>	Simplified, 2-line LCD panel with buttons, integrated into labelling heads. Up to 16 labelling programs memory.
<b>CONVEYOR</b>	100 mm wide belt, 1500 mm long (accordingly to product dimensions)
<b>POWER SUPPLY</b>	230 VAC, 50 Hz

INTREX SET 1501



INTREX SET 1201



The real maximum labelling speed depends on the label, capacity, type of the labelled product and the kind of application.  
The label feeding precision depends on the label and the labelled product properties.